



产品选型

1. 连接类型: 8040侧联(蜂窝板) 如图1, 8040侧联(平板) 如图2, 8040端联 如图3;
2. 压力类型: 150, 300, 450, 600, 800, 1000PSI;
3. 长度类型: 1至7芯;
4. 外观颜色: 标准配置为白色, 可根据客户要求定制;
5. 特殊规格可定制。

Product Selection:

1. Connection type: 8040 Side Port (cellular board) Figure 1, 8040 Side Port (flat board) Figure 2; 8040 End Port, Figure 3;
2. The type of pressure: 150, 300, 450, 600, 800, 1000PSI;
3. The type of length: 1~7 core;
4. The appearance of color: Standard configuration of color is white. Colors can also be customized according to customers' requirement;
5. Special specifications can be customized.

技术要求

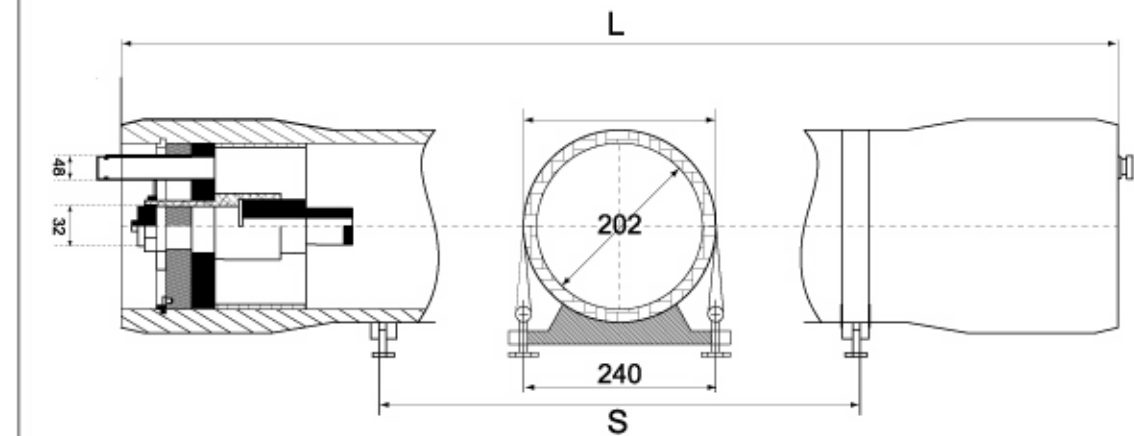
1. 膜壳制造方法按JC692-1998标准;
2. 膜壳设计压力为150, 300, 450, 600, 800, 1000PSI; 允许工作温度范围为-7℃~49℃;
3. 膜壳渗透实验采用水压试验方法, 测试压力为标准压力的1.5倍。

Technical Requirements:

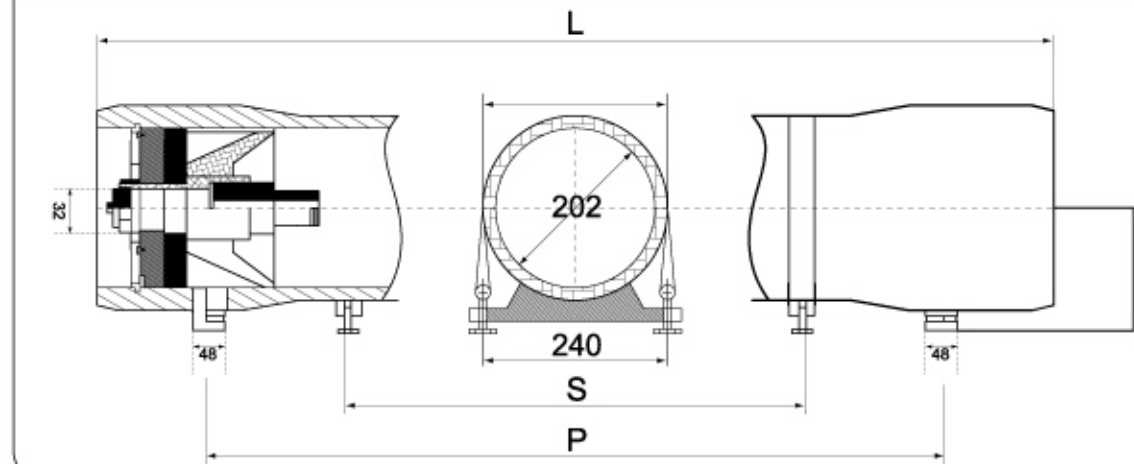
1. The manufacturing method of our FRP pressure vessel (membrane housing) is in accordance with the standard JC692-1998;
2. Design for the pressure of the FRP pressure vessel (membrane housing) is 150, 300, 450, 600, 800, 1000PSI. And the permitted scope of working temperature is -7℃~49℃;
3. The permeability test of the membrane housing with a way of using water pressure. The test pressure is 1.5 times of the standard pressure.



8" 端联式安装示意图 300PSI



8" 侧联式安装示意图 300PSI



主要安装尺寸

工作压力	节数	L(mm)	S(mm)	P(mm)	工作压力	节数	L(mm)	S(mm)	P(mm)
300PSI	1	1470	700	1140	1000PSI	1	1524	700	1142
	2	2486	1454	2156		2	2540	1454	2158
	3	3502	2064	3172		3	3556	2064	3174
	4	4518	1646 × 2	4188		4	4574	1646 × 2	4192
	5	5536	2000 × 2	5206		5	5590	2000 × 2	5208
	6	6552	2357 × 2	6222		6	6606	2357 × 2	6226
	7	7568	3084 × 2	7238		7	7622	3084 × 2	7242

注: 8" 端联式膜壳主要尺寸无P